

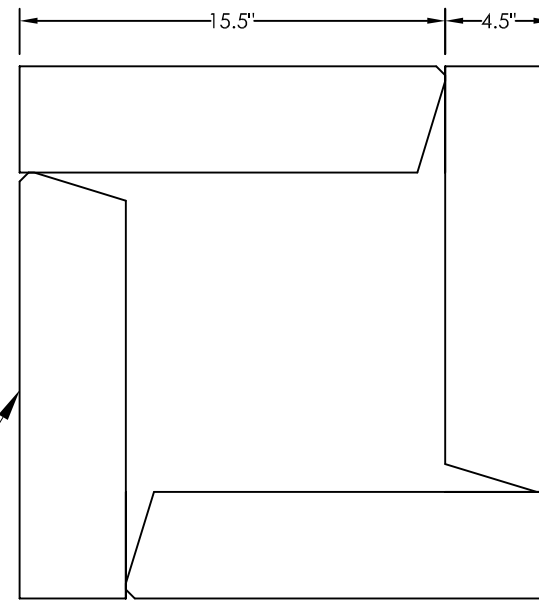
20" Classic™ Column

Classic™ (6, or 8)

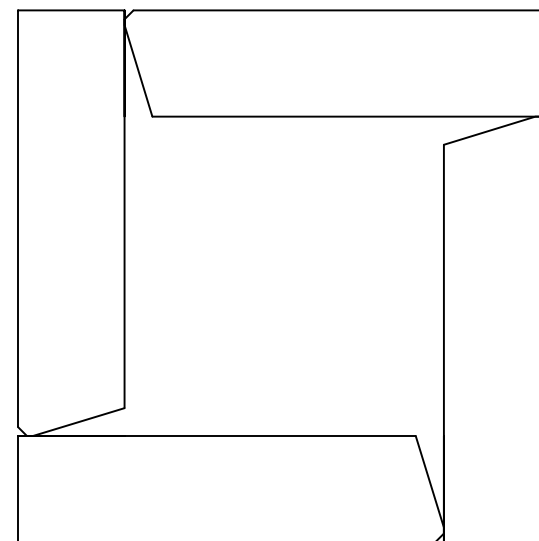
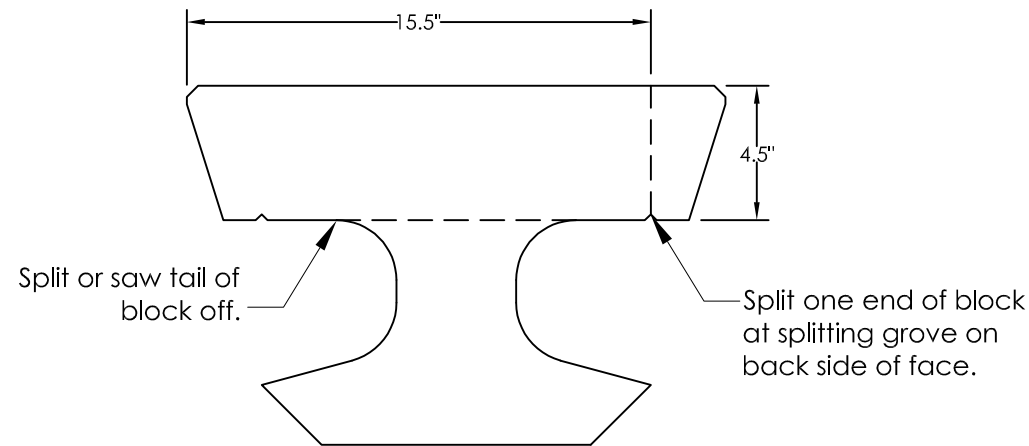
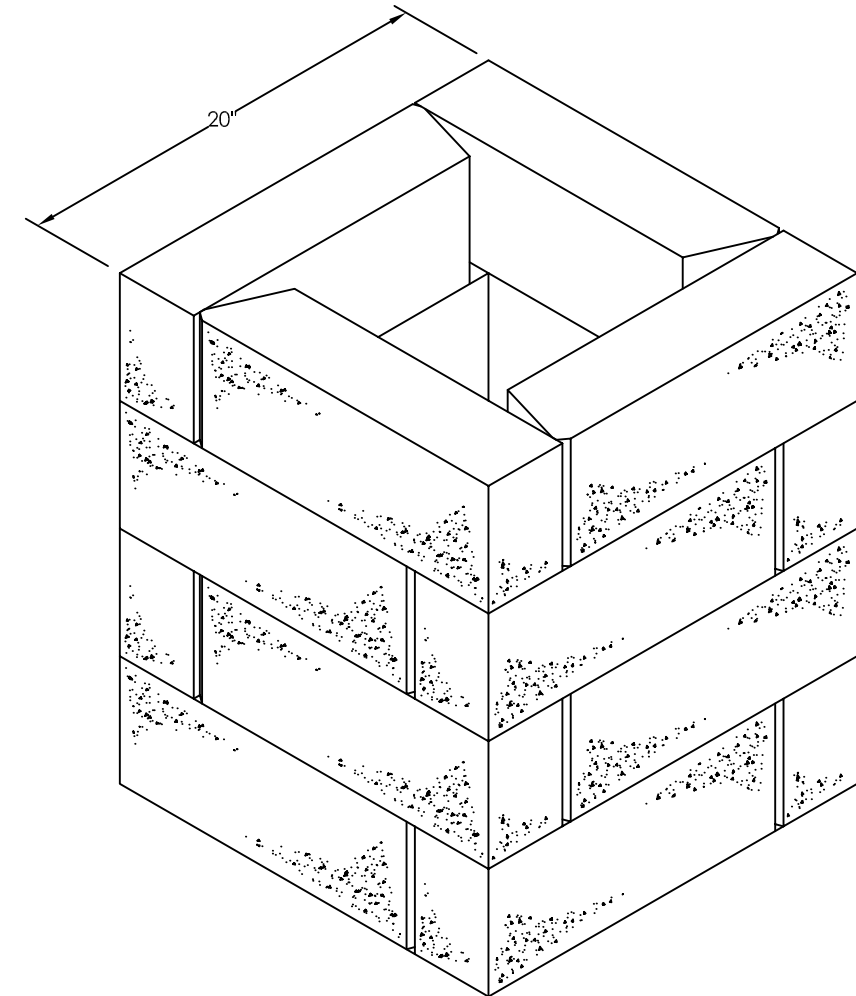
Notes:

1. Classic™ straight face base block.
2. If regular Classic™ is used, anchor bar needs to be removed.
3. Adhere each course with a concrete adhesive, such as Super Stik®.
4. Split or saw tail of block off.

Classic block split face



Odd course



Even course

Not to Scale

This drawing is furnished for preliminary design purposes only, and should not be used for final design drawings or construction drawings without the certification of a professional engineer registered in the state in which the wall will be constructed. These drawings are "typical" and may be amended or revised by the SRW engineer based on project site conditions and purposes.

| No. | Date. | Revision. | By. |
|-----|-------|-----------|-----|
| | | | |
| | | | |
| | | | |
| | | | |

PREPARED BY:

| Legend |
|--------|
| |

| | |
|----------------------|----------------------------|
| Project Name: | Prepared For: |
| Project Location: | Drawn By: Checked By: |
| Drawing Description: | Sheet: |
| Classic 20" Column | Date: |
| | Project Number: |