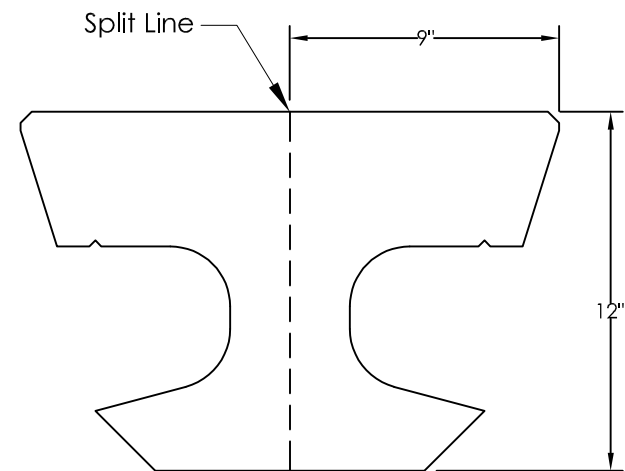


21" Classic™ Column

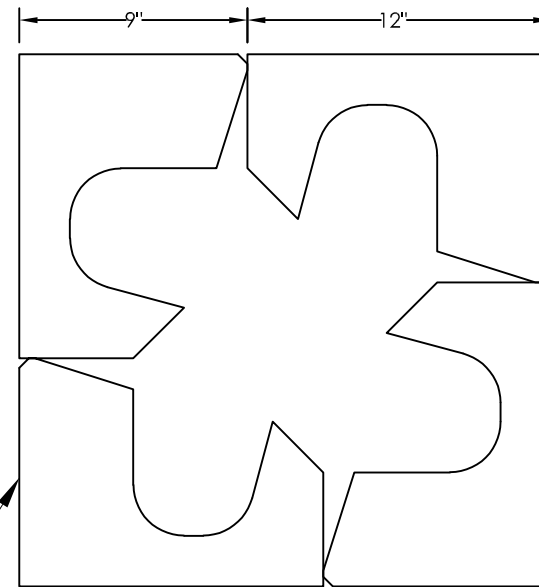
Classic™ (6, or 8)

Notes:

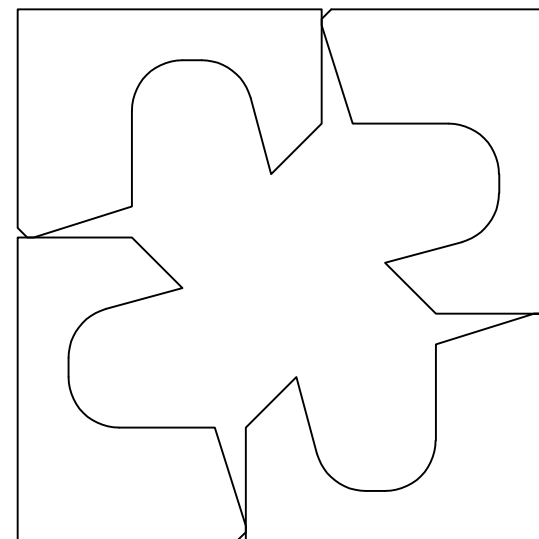
1. Classic™ straight face base block.
2. If regular Classic™ is used, anchor bar and stacking bar need to be removed.
3. Adhere each course with a concrete adhesive, such as Super Stik®.



Classic block split face

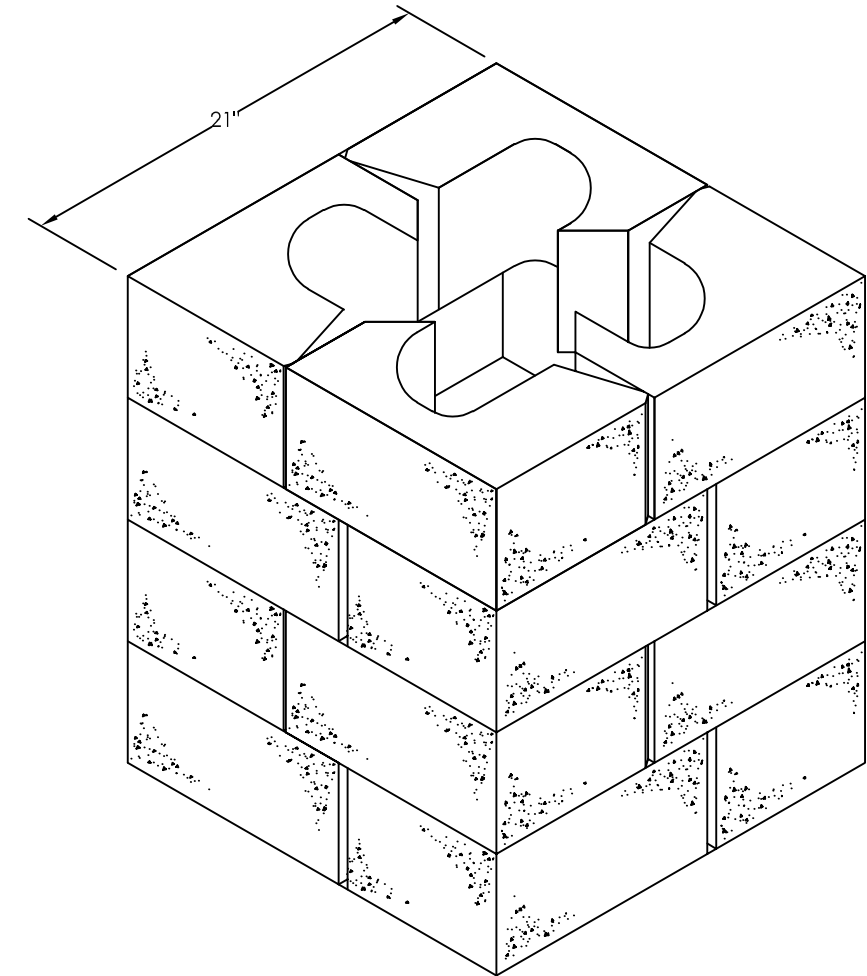


Odd course



Even course

Not to Scale



This drawing is furnished for preliminary design purposes only, and should not be used for final design drawings or construction drawings without the certification of a professional engineer registered in the state in which the wall will be constructed. These drawings are "typical" and may be amended or revised by the SRW engineer based on project site conditions and purposes.

No.	Date.	Revision.	By.

PREPARED BY:

ROCKWOOD
RETAINING WALLS
A better way.

Legend

Project Name: _____

Project Location: _____

Drawing Description: **Classic 21" Column**

Prepared For: _____

Drawn By: _____ Checked By: _____

Sheet: _____

Date: _____

Project Number: _____